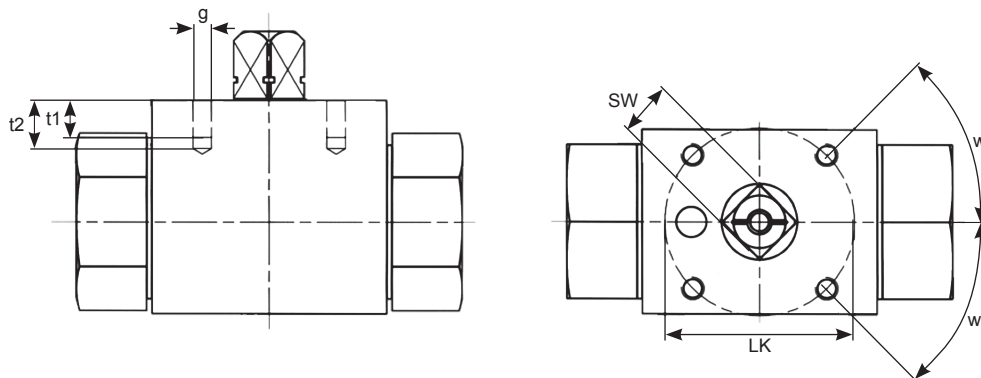


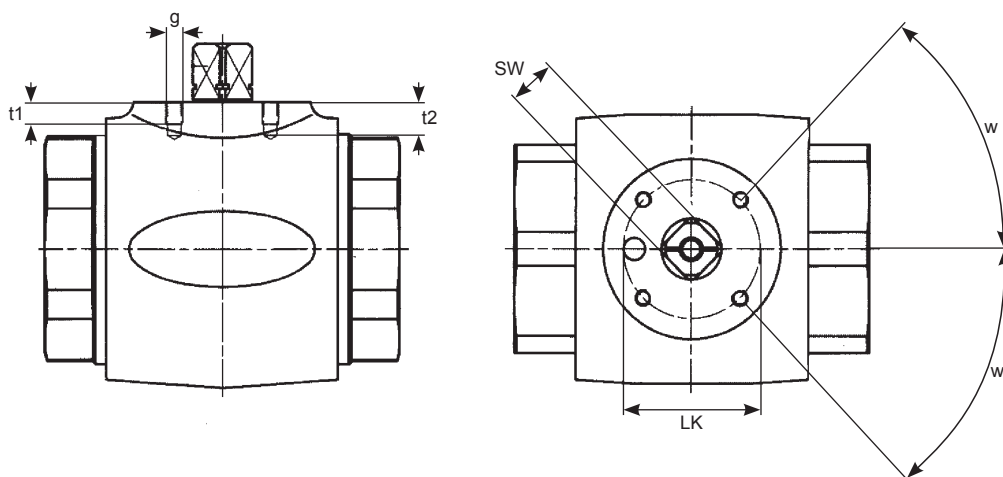
Hochdruck-Kugelhähne

Robinetts sphériques haute pression

Ausführung mit Befestigungsgewinden (auf Anfrage)
 Exécution avec filets pour fixation (sur demande)



KHB	KHB3K / KHB3KT	DN mm	SW mm	LK mm	g mm	t1 mm	t2 mm	w °	ISO 5211
6L, 8S, G1/8"	6L, 8S, G1/8"	4	9	36,0	M5	6,0	7,5	30°	
8L, 10S, G1/4"	8L, 10S, G1/4"	6	9	36,0	M5	6,0	7,5	30°	
10L, 12S	10L, 12S	8	9	36,0	M5	6,0	7,5	30°	
12L, 14S, G3/8"	12L, 14S, G3/8"	10	9	36,0	M5	7,0	9,0	45°	F03
15L, 18L, 16S, G1/2"	15L, 18L, 16S, 20S, G1/2"	13	9	36,0	M5	6,0	8,0	45°	F03
15L, 18L, 20S, G1/2"		16	12	42,0	M5	8,0	10,0	45°	F04
22L, 25S, G3/4"	22L, 25S, G3/4"	20	14	50,0	M6	10,0	14,0	45°	F05
28L, 30S, G1"	28L, 30S, G1"	25	14	50,0	M6	10,0	12,0	45°	F05



KHM	DN mm	SW mm	LK mm	g mm	t1 mm	t2 mm	w °	ISO 5211
35L, 38S, G1 1/4"	32	17	50,0	M6	8,0	12,0	45°	F05
42L, G1 1/2"	40	17	50,0	M6	8,0	12,0	45°	F05
G2"	50	17	50,0	M6	8,0	12,0	45°	F05

Copyright by  Aend. 24.04.2018; Br/Fp

Heizmann AG, CH-5000 Aarau, Tel. 062 834 06 09, Fax 062 834 06 03

Kat 11-6

336

Heizmann
 Schlauchtechnik - Hydraulik - Antriebstechnik